



# Ross High Speed Dispenser

*Traditional ROSS quality and heavy duty construction.  
Durable, Dependable, Simple and Affordable.*

Ross has been the leader in the mixing industry for over 150 years. The ROSS High Speed Dispenser is built with all of the features and versatility required to produce a variety of products. This age old design has been refined and updated for longer life, improved performance and reduced maintenance costs.

The standard design includes features such as Explosion Proof Inverter Duty Motors, heavy duty v-belt drives and bearings, safety switches for both

height limitation and mix can position, adjustable can lock system for use with different size mix vessels, air/oil hydraulic lift system including hand/foot controls, Stainless Steel wetted parts and Stainless Steel shaft guard.

*Available in all standard sizes and special design configurations. Custom designs to meet all of your dispersing and mixing needs.*



# Applications

Pigment Dispersions  
Automotive Coatings  
Dye Stuffs  
Electronic Inks  
High Performance  
Ceramics  
Plastisols  
Carbon Dispersions  
Graphite Composites  
Magnetic Dispersions  
Paints  
Glass Coating

**The ultimate test —  
in the Ross Test &  
Development Center  
or in your plant.**

Call Ross to arrange a demonstration of our HSD and other models. The Ross Test & Development Center is staffed with the most experienced engineers in the business and is fully equipped for quantitative analysis of your results.

**Call or Email ROSS  
today. 1-800-243-ROSS.**

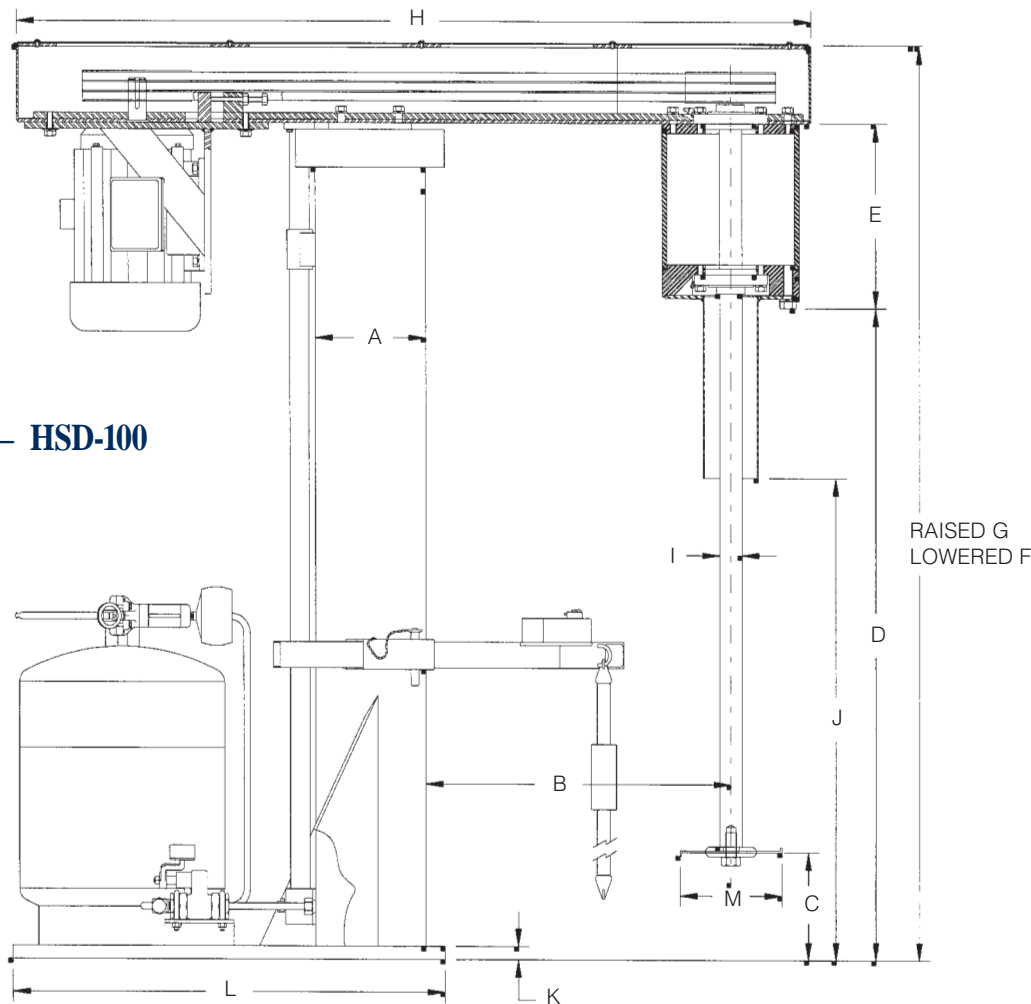
Call now to speak to an applications engineer. Learn more about the Ross HSD and all of the other Ross products.



**CHARLES ROSS & SON COMPANY**

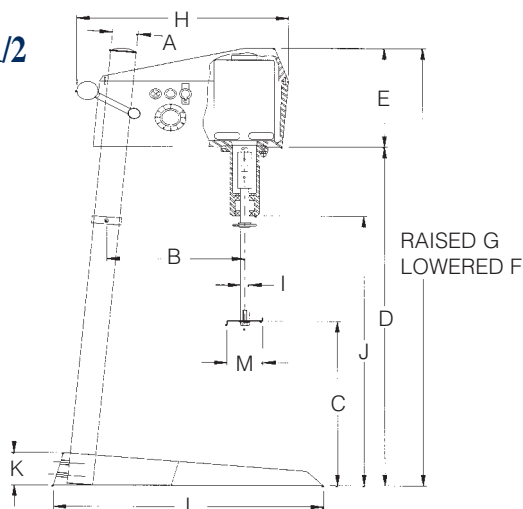
P.O. Box 12308  
710 Old Willets Path  
Hauppauge, NY 11788  
Tel: 631-234-0500  
Fax: 631-234-0691  
1-800-243-ROSS

Website: [www.mixers.com](http://www.mixers.com)  
Email: [sales@mixers.com](mailto:sales@mixers.com)

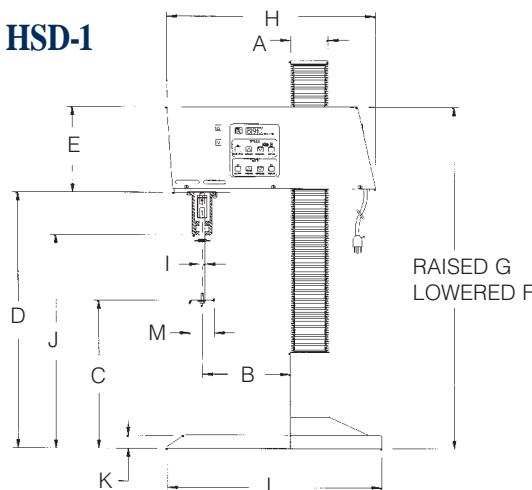


**HSD-2 — HSD-100**

**HSD-1/2**



**HSD-1**



Model	HP	Std. Vol.	A	B	C	D	E	F	G	H	I	J	K	L	M	Width	RPM
HSD-1/2	1/2	1 Gal.	1"	5"	2"	15"	7"	21"	30"	12"	1/2"	9"	1"	16"	1-2"	14"	0-10,000
HSD-1	1	2 Gal.	n/a	7"	2"	15"	10"	23"	43"	19"	1/2"	9"	1"	20"	1-2"	15"	0-10,000
HSD-2	2	5 Gal.	3"	6"	2"	18"	5"	28"	45"	24"	7/8"	15"	3/8"	24"	1-4"	14"	0-6,000
HSD-5	5	50 Gal.	5"	20"	3"	42"	10"	58"	94"	51"	1-1/4"	30"	1/2"	28"	6-8"	24"	0-4,000
HSD-10	10	100 Gal.	6.5"	24"	8"	50"	14"	70"	118"	62"	1-3/4"	37"	3/4"	34"	8-10"	24"	0-2,500
HSD-15	15	150 Gal.	6.5"	24"	8"	50"	14"	70"	118"	62"	1-3/4"	37"	3/4"	34"	10-12"	24"	0-2,000
HSD-20	20	200 Gal.	6.5"	24"	8"	50"	14"	70"	118"	62"	1-3/4"	37"	3/4"	34"	12-14"	24"	0-1,600
HSD-30	30	300 Gal.	6.5"	30"	8"	58"	16"	82"	132"	71"	2-1/2"	40"	1"	36"	14-16"	28"	0-1,400
HSD-50	50	500 Gal.	8"	40"	10"	56"	16"	88"	142"	85"	3"	44"	1"	36"	16-18"	28"	0-1,200
HSD-75	75	750 Gal.	10"	40"	12"	70"	16"	94"	158"	90"	3-1/4"	56"	1"	40"	20-22"	30"	0-1,000
HSD-100	100	1000 Gal.	12"	45"	14"	85"	16"	101"	173"	96"	3-1/2"	70"	1"	48"	22-24"	32"	0-900

HSD-0800-5M